

Key stage 3 mathematics 2009

Mental mathematics Test B

First name \_\_\_\_\_

Last name \_\_\_\_\_

School \_\_\_\_\_

Total marks

Practice question

		39	
--	--	----	--

Time: 5 seconds

<b>1</b>	millimetres	kilometres	
		metres	
	centimetres	inches	

<b>2</b>		$8y + 3y$	
----------	--	-----------	--

<b>3</b>		6000	
----------	--	------	--

<b>4</b>		7.8	
----------	--	-----	--

<b>5</b>			
----------	--	--	--

<b>6</b>		0.3	
----------	--	-----	--

Time: 5 seconds continued

<b>7</b>		0.09	
----------	--	------	--

<b>8</b>			
----------	--	--	--

Time: 10 seconds

<b>9</b>		25p £2.50	
----------	--	-----------	--

<b>10</b>	Quarter to six		
	minutes		

<b>11</b>		13 14 15	
-----------	--	----------	--

<b>12</b>	Key:  = 3 pupils		
	Apple		
	Banana		
	pupils		

<b>13</b>	°C	8°C	
-----------	----	-----	--

<b>14</b>	%		
-----------	---	--	--

<b>15</b>			

Time: 10 seconds continued

16

No	Yes
----	-----

0% 100%

---

%

16

17

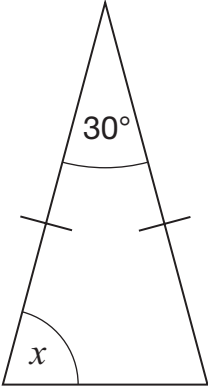
cm	4cm
----	-----

17

18

°

\_\_\_\_\_



18

19

hours	18
-------	----

19

20

£	5%	£2
---	----	----


20

21

	$y = 3x - 7$
--	--------------

21

22



---

cm

22

23

	$3y(5 - y)$
--	-------------

23

Time: 15 seconds

24

\_\_\_\_\_ and \_\_\_\_\_

24

25

1cm : 2km	$7\frac{1}{2}$ cm	
km		

25

26

	65 83
--	-------

26

27

	$\frac{(3 + b)^2}{5}$
--	-----------------------

27

28

Number of children	Frequency
0	1
1	1
2	4
3	3
4	1

---

children

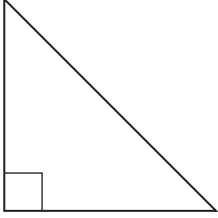
28

29

$2 : 3 : 4$	
°	°
_____ , _____ , _____	

29

30



---

$\sqrt{6}$	$\sqrt{9}$	$\sqrt{12}$
$\sqrt{18}$	$\sqrt{27}$	

30